

Classic II™ Standalone



Features & Components



Kontrol Tower Top Vent



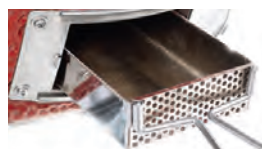
Air Lift Hinge



Latch



3 x Feet



Slide-Out Ash Drawer



Handle



Gasket



Thermometer

INTERNAL COMPONENTS

Divide & Conquer®
Flexible Cooking System



AMP FireBox



Tools

Specifications

Dimensions	Cooking Surface	Weight	Heat Range
22.5 in W x 31.5 in H x 30 in D	256 sq in (407 sq in with rack extension)	250 lbs	225°F–750°F+
57.2 cm W x 80 cm H x 76.2 cm D	1,646 sq cm (2,619 sq cm with rack extension)	113 kg	82°C–399°C

Materials

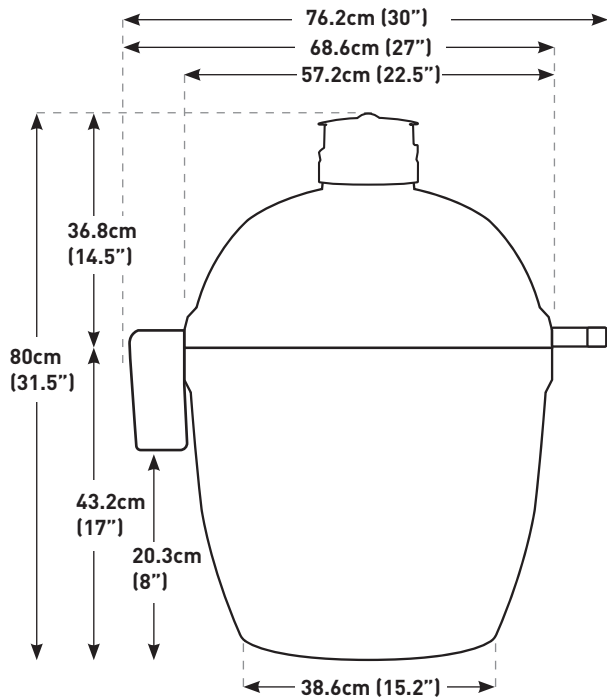
Base/Dome	High Fire Heat-Resistant Ceramics	Latch	Stainless Steel
Glaze	Heat-Resistant Ceramic Coating	Handles	HDPE (High-Density Polyethylene)
Top Vent	Cast Aluminum	Hinge	Full Counter Balanced Steel
Grill Grates	304 Stainless Steel	Bottom Vent	304 Stainless Steel
FireBox	High-Fire Heat-Resistant Ceramics	Feet	Ceramic
Gasket	Wire Mesh Fiberglass	FireBox Ring	304 Stainless Steel

Classic II Dimensions & Installation Guide

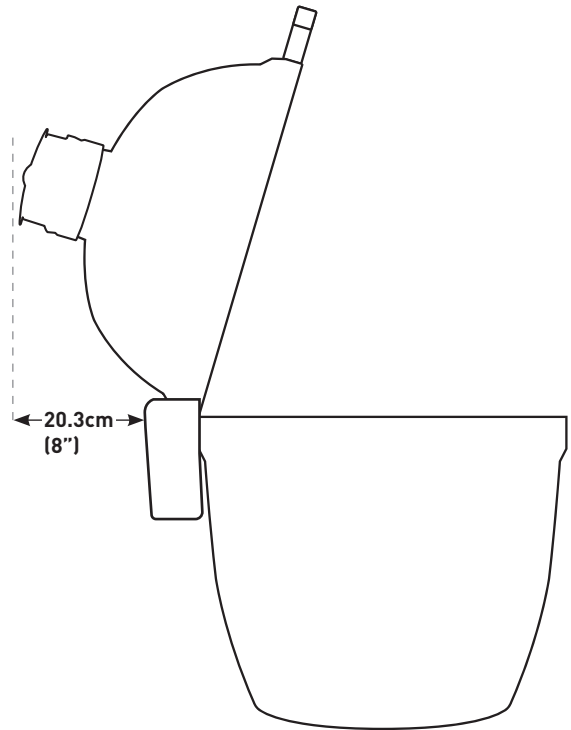
IMPORTANT DIMENSION NOTES

Please use this as a general guide for installing a Classic II ceramic grill in a built-in outdoor kitchen or grill table. We highly recommend that the actual grill being installed be measured. Drawing is not to scale.

SIDE VIEW



OPEN CLEARANCE



TOP VIEW

