


# CHESNEYS

GAS STOVE COLLECTION







The Chesney's Gas Stove Collection combines the latest technology with a design aesthetic that places the product far ahead of the competition in terms of realism and functionality.

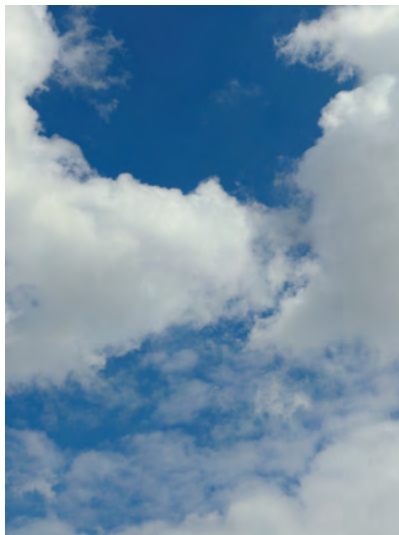
The Beaumont	2
The Salisbury	8
Technical drawings	13
Colour palette	13
Technical information	14



## As close to a real fire as you can get

The beauty and warmth of a real log fire at the flick of a switch. Chesney's new gas stove provides a heat output of up to 3.4kW\* at a cost of only 10 pence per hour\*\*.

Emulating the lazy flames and glow of a log burning stove, it offers a unique combination of efficiency and realism.



### Engineering

A gas stove from Chesney's is an outstanding piece of engineering with every stove undergoing a rigorous build and performance process. Our research engineers have used the very latest technology to create a product that is unique in both its functionality and appearance, and delivers an efficiency rating of up to 73%.



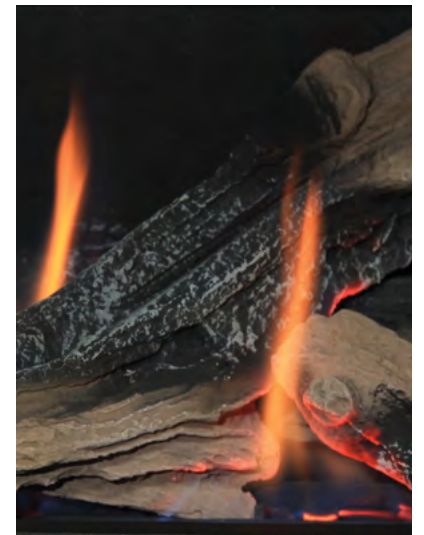
### Safety

With any gas appliance, safety is of paramount importance. Chesney's Gas Stove Collection has been tested and certified by the UK's leading independent test laboratory and our rigorous quality control systems ensure that all our appliances conform to British Standards.



### Ease of use

We believe that one of the main reasons for choosing a gas stove is convenience. Every Chesney's gas stove is controlled by a hand-held fully sequential remote control device that allows you to control the flame height and heat output from the comfort of your armchair.



### Realism

Our aim is to make a gas stove that is indistinguishable in its appearance from a natural wood burning stove. Following extensive experimentation our engineers have succeeded in creating a fire that perfectly emulates the flame pattern of a real fire with individually hand painted logs that produce a deep lifelike glow.

## *The Beaumont*

With its classical detailing and refined appearance, the Beaumont gas stove is an elegant addition to the decorative scheme of any room.

Its design includes uniquely classical features such as swept cabriole legs and a corniced top section.

The Beaumont is shown in black anthracite paint finish with the hand carved Alderney limestone surround from Chesney's Fireplace Collection.

### DETAILS

Full specifications  
Pages 13















The Beaumont is shown in parchment paint finish with the Burlington limestone fire surround from Chesney's Fireplace Collection.

**DETAILS**

**Full specifications**

Pages 13

The Beaumont has an expansive glass window which allows a full appreciation of the entrancing flame pattern and glowing log bed that characterises every Chesney's gas stove.

The Beaumont is shown in a parchment paint finish that complements its refined appearance.

DETAILS

Full specifications  
Pages 13







## *The Salisbury*

The Salisbury is very much in the style of a traditional wood burning stove.

A robust and simple design with a solid cast iron door, housing a large glass window that allows the fire to be enjoyed.

The Salisbury is shown in black anthracite paint finish with the Metro limestone surround and Modern Steel slips from Chesney's Fireplace Collection. Derwent fire tools from the Chesney's Accessories Collection.

### DETAILS

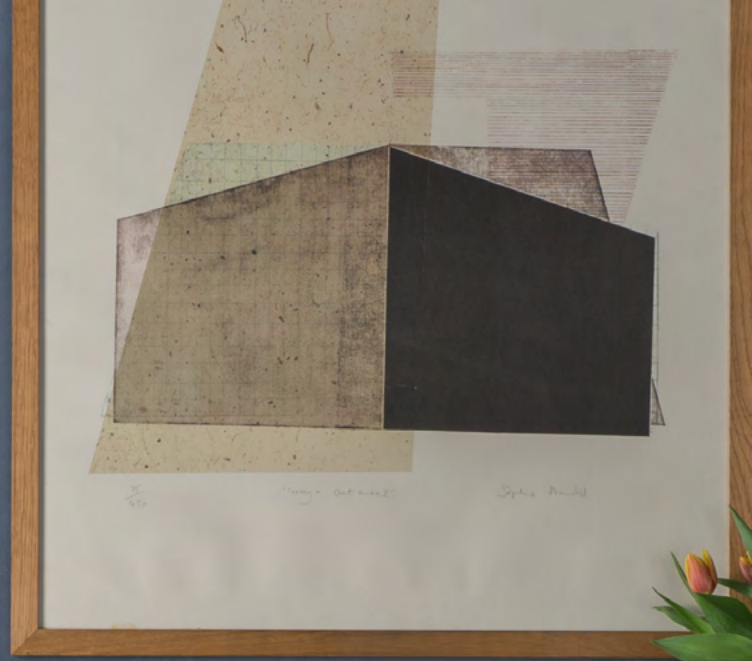
Full specifications  
Pages 13













The Salisbury is shown in black anthracite paint finish with the hand carved Devonshire limestone surround from Chesney's Fireplace Collection.

DETAILS

Full specifications

Pages 13





The Salisbury in black anthracite paint finish with hand carved Burlington limestone surround from Chesney's Fireplace Collection.

DETAILS

Full specifications

Page 13

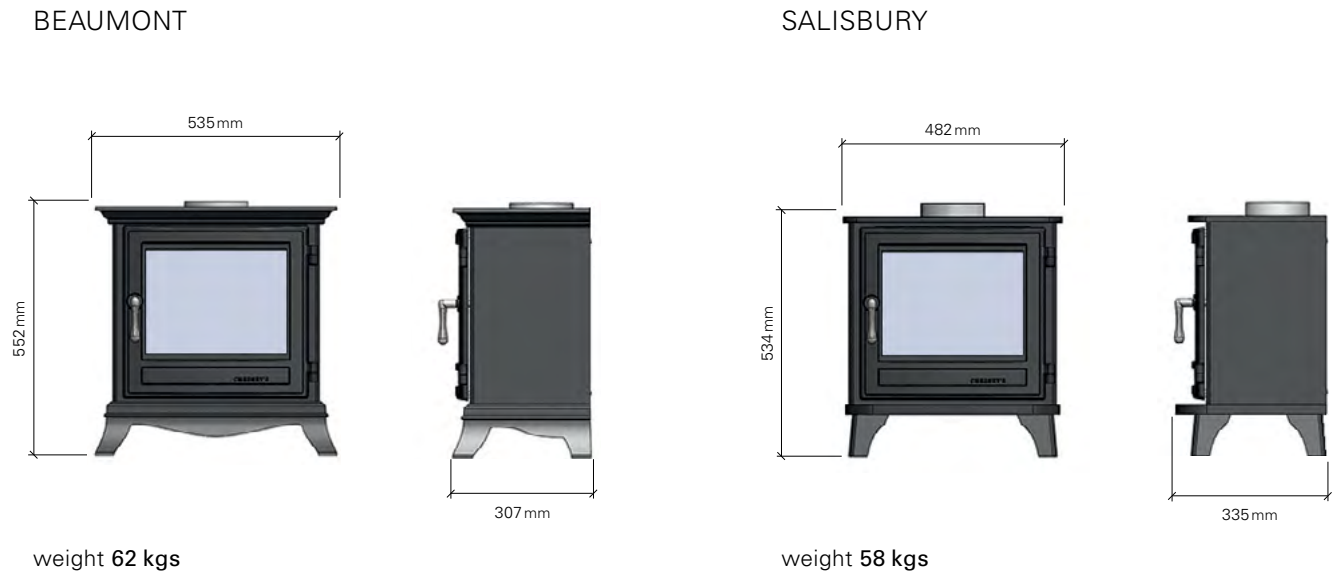




## Technical drawings

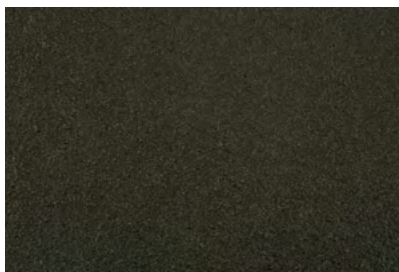
### STANDARD

APPROXIMATE OVERALL DIMENSIONS SHOWN



## Colour palette

Our range of colours allows you the flexibility to select a colour for your stove that will suit the decorative scheme in your home.



Black anthracite



Parchment

PLEASE NOTE The colour chart above is intended as a guide only



Gas Type	Natural Gas
Gas Connection Size	8.0mm O.D. tubing
Pilot Assembly	THERMACO PG 82
Control System	THERMACO TESCO1 Radio Frequency
Appliance Mass Range (kilograms)	58kg – 62kg

Gas Type	Gas Category, Type and Supply Pressure	Countries of Destination																										
		AT	BG	CH	CY	CZ	DE	DK	EE	ES	FI	FR	GB	GR	HR	IE	IT	LT	LU	LV	NO	PL	PT	RO	SE	SI	SK	TR
NG	I <sub>2H</sub> - G20 at 20mbar	✓	✓	✓	✓	✓	✓	✓	✓	✓	✓	✓	✓	✓	✓	✓	✓	✓	✓	✓	✓	✓	✓	✓	✓	✓	✓	✓

Standard Gas Stove Appliance	Gas Type	Gas Category, Type and Supply Pressure	Injector (1 per appliance)		Nominal Heat Input, (Gross)	Gas Rate	Efficiency Class	Efficiency	NOx Class	NOx Concentration / Limits
			Marking	Size (single hole)						
Salisbury & Beaumont	NG	I <sub>2H</sub> G20 at 20mbar I <sub>2E</sub> G20 at 20mbar I <sub>2E+</sub> G20/G25 at 20/25mbar	1.45	1.45mm	3.4 kW	0.315 m <sup>3</sup> /h	2	73.1%	4	111 mg/kWh

**Appliance distances and clearances**

The minimum distances to combustibles are given in the table below. Distances to non-combustibles should conform to local and national building regulations.

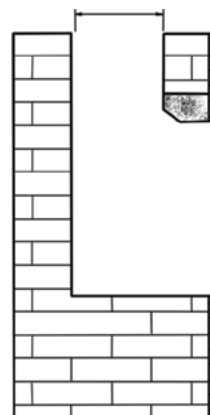
Due to the nature of the appliance most part of it will become hot during normal operation, therefore the entire appliance is classed as a working surface.

Standard Gas Stove	COMBUSTIBLES
Rear of appliance	150mm
Side of appliance	50mm
Above the appliance (Ceiling)	250mm

**The Builders Opening**

Use non combustible heat resistant materials for the chimney breast, including the top of the chimney breast, the material in the chimney breast and the back wall of the chimney breast. The construction must comply with all relevant regulations.

The appliance can be used with a sound Class 1 lined flue with a minimum 4" diameter. If the appliance is used with an existing lined chimney the minimum flue diameter must be 6" (152.4mm) or above to accommodate the 4" liner.

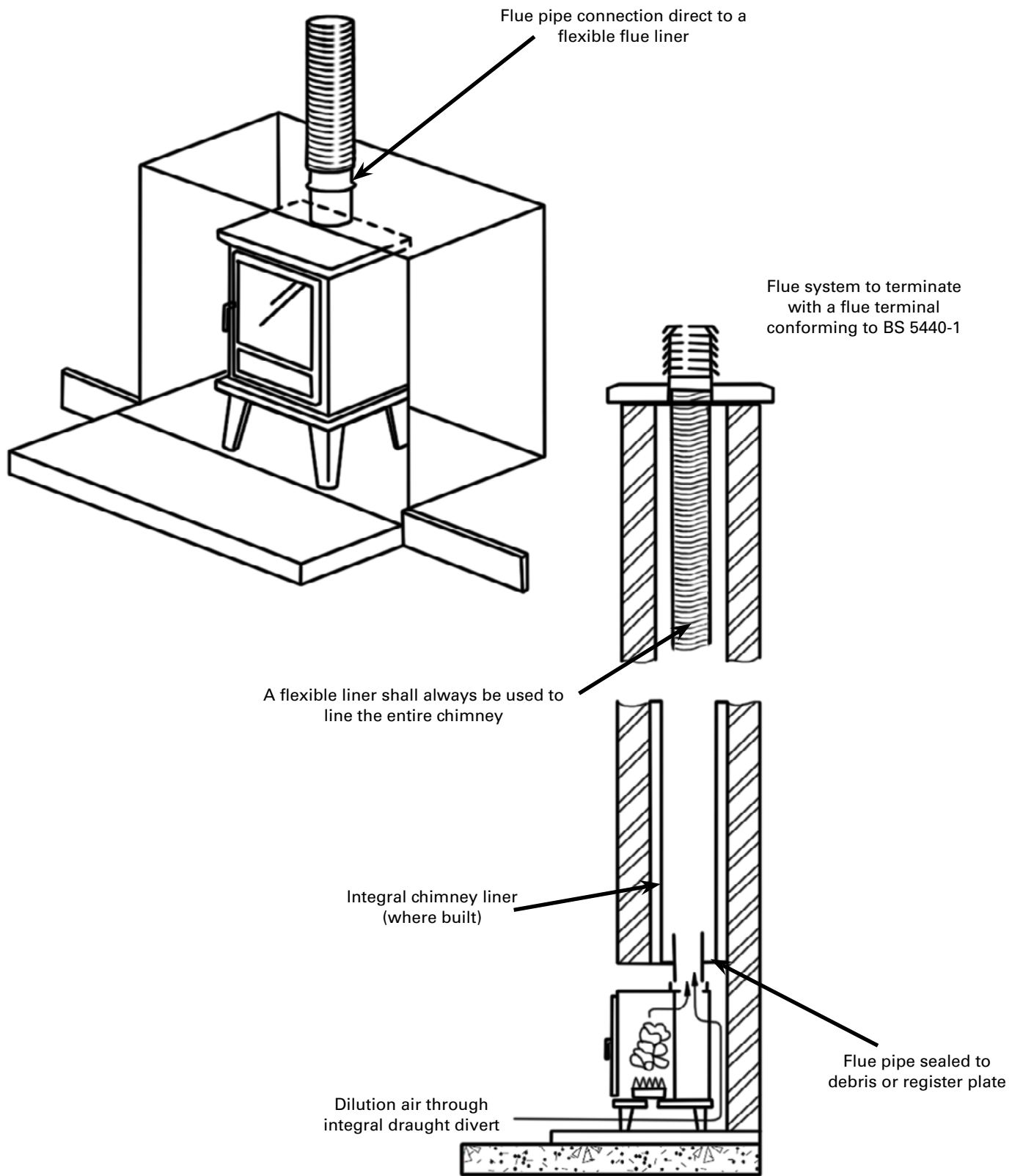


Minimum 7" unlined / Minimum 6" lined



The appliance is designed to be installed into a Class 1 Conventional flue system that has been lined with a minimum 4" flue liner, or a factory made flue system conforming to BS 5440-1.

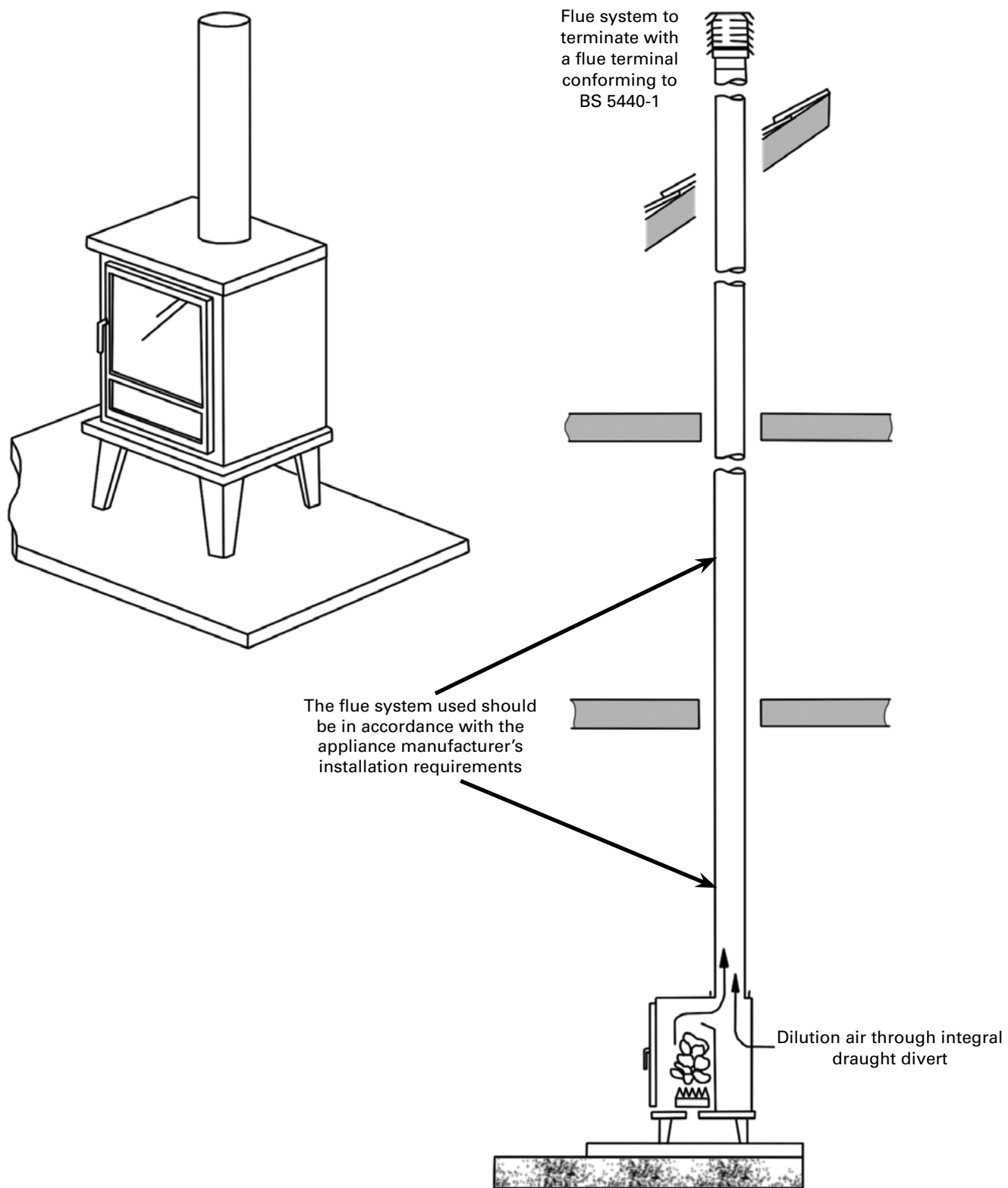
Installed into a chimney recess / builders opening.



Minimum flue height:  
 100mm flue is 3m  
 125mm flue is 4m

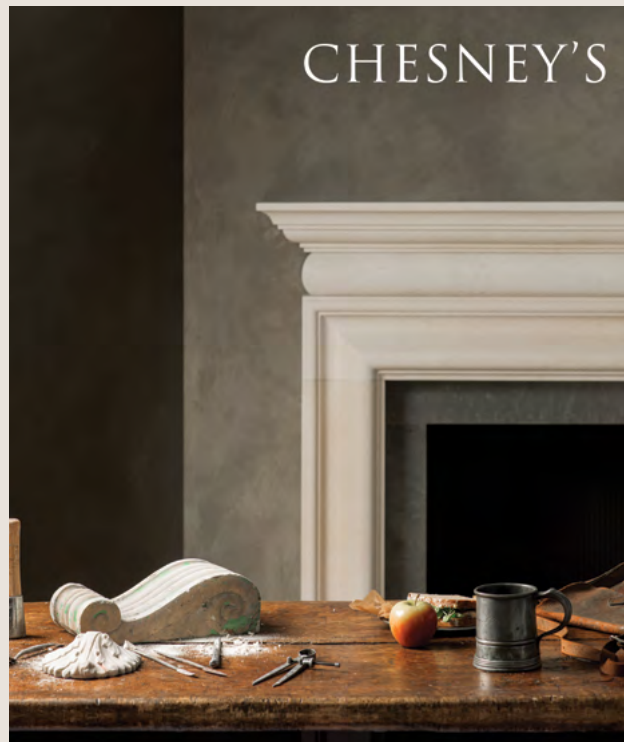


Free standing installation connected to a factory made flue system.





A number of the stoves in this brochure have been installed with hand carved chimneypieces from Chesney's range of period and contemporary stone and marble fire surrounds. This is widely acknowledged as the leading collection of its kind in the world, and also includes a wide selection of fire baskets, fire dogs, andirons, fire tools and register grates. Separate full colour brochures are available illustrating these ranges.



*Acknowledgements*

**Artisans of Devizes** 01380 720007  
[www.artisansofdevizes.com](http://www.artisansofdevizes.com)

*Flagstones, page 8-9*

**Gallery 25** 020 7730 7516  
[www.gallery25.co.uk](http://www.gallery25.co.uk)

*Chair, page 7*

**Pad UK Ltd** 020 7639 3399  
[www.padukltd.com](http://www.padukltd.com)

*Cushions and throws, pages 8-9*

**sofa.com** 0207 349 0222

[www.sofa.com](http://www.sofa.com)

*Sofa, pages 8-9*



Chesney's pursues a policy of continuing improvement in design and performance of its products. The right is therefore reserved to vary specifications without notice.

Images are used for illustration purposes only.

© Chesney's January 2017

\*Heat output, which is a combination of radiant and convected heat, will vary depending on how and where the stove is installed.

\*\*Running costs are based on the average of a basket of energy costs calculated at the date of publication of this brochure.



*Showrooms*

**London**

194-204 Battersea Park Road,  
London SW11 4ND

*Telephone* 020 7627 1410

*Fax* 020 7622 1078

*Email:* sales@chesneys.co.uk

For details of UK nationwide stockists:

020 3177 4200

[www.chesneys.co.uk](http://www.chesneys.co.uk)

**New York**

Suite 1119, 11th Floor,  
D&D Building, 979 Third Avenue,  
New York NY 10022

*Telephone* 001 646 840 0609

*Fax* 001 646 840 0602

*Email:* sales@chesneys.com

[www.chesneys.com](http://www.chesneys.com)

CHESNEYS

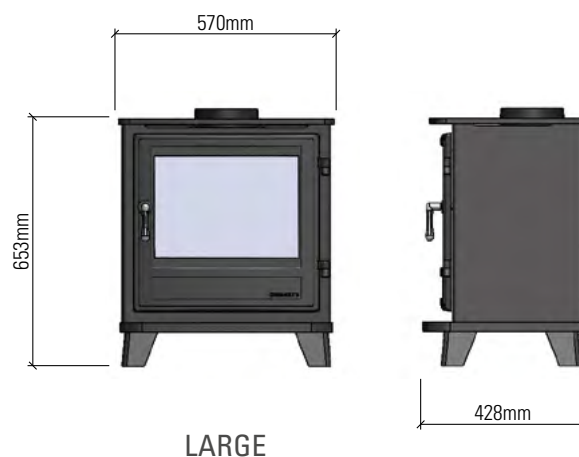
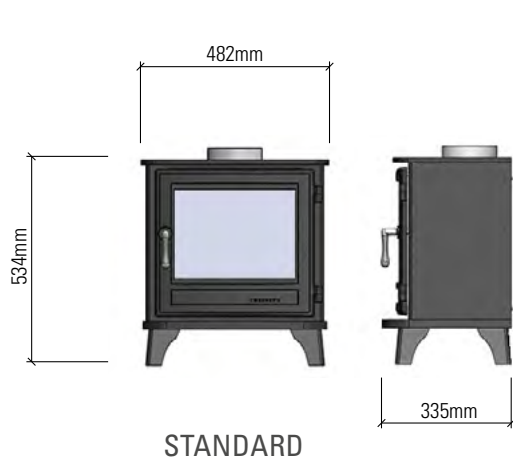


GAS STOVES	£
Salisbury Standard - in Black	1347.00
Salisbury Large - in Black	1537.00
Beaumont Standard - in Black	1537.00
Beaumont Large - in Black	1755.00
Optional Parchment colour for the Beaumont	100.00

FLUE COMPONENTS & ACCESSORIES	£
4" Flexible Liner per metre	30.00
5" Rigid Flue Pipe 1metre length	74.50
Closure Plate Kit	125.00
Gas Terminal, Top Plate & Clamp	170.00
CO Detector	30.00
Paint (400ml aerosol spray)	
Black, Parchment	12.50

All prices are exclusive of VAT, delivery and installation.  
Installation prices are subject to site visit.

## SALISBURY



## BEAUMONT

